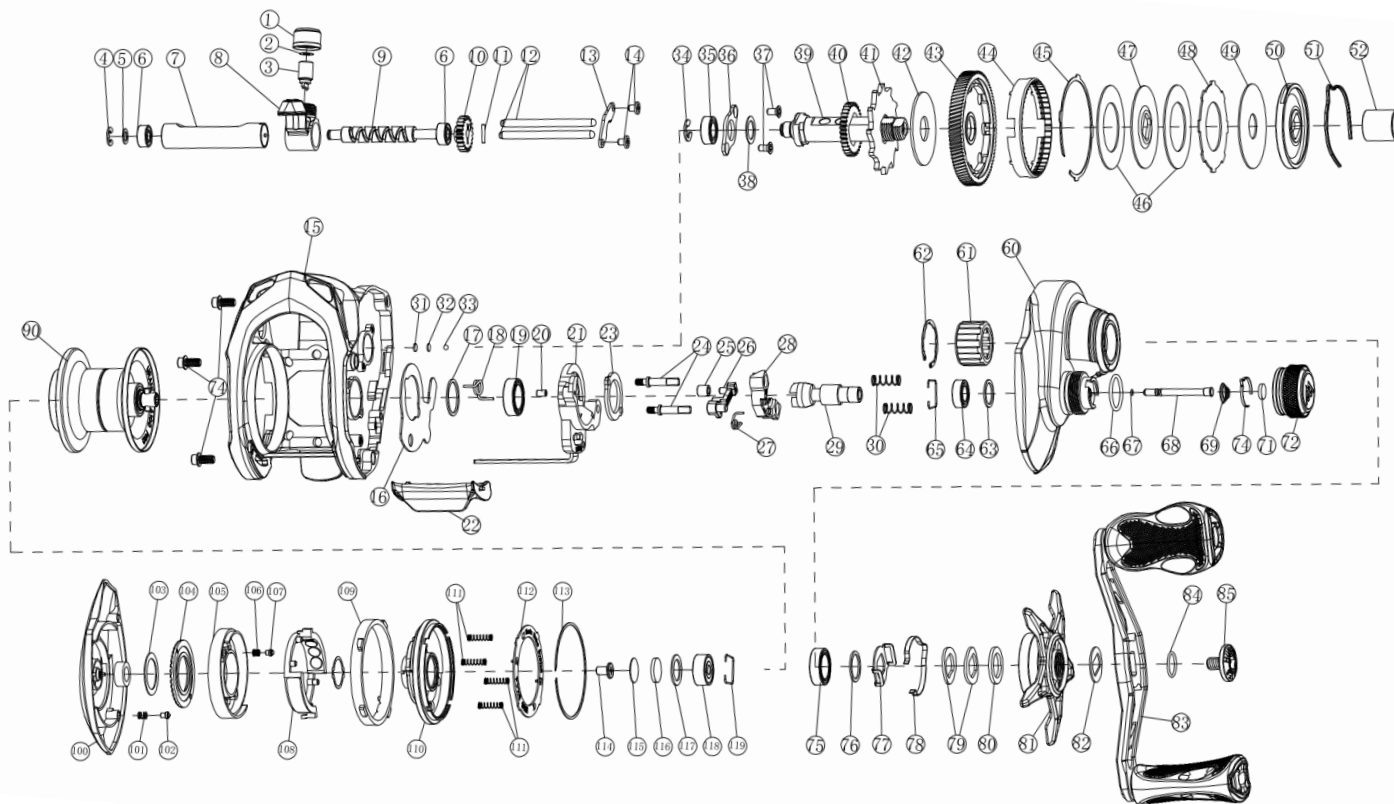


# Bates Hundo Schematic



Part No	Part Name	Part No	Part Name	Part No	Part Name	Part No	Part Name
1	Nut Cap	26	Kick Lever	51	Gear Clicker Spring	85	Handle Nut
2	Washer	27	Spring-Kick Lever	52	Sleeve - One Way Clutch	90	Spool Assy
3	Line Guide Pawl	28	Pinion Yoke	60	Gear Side Cover	100	Palm Side Cover
4	E-Clip	29	Pinion Gear	61	One Way Bearing	101	Click Spring
5	Washer	30	Spring-Pinion Yoke	62	Clip Ring	102	Click Pin
6	Bearing - Worm Shaft	31	Rubber Washer	63	Washer	103	Teflon Washer
7	Worm Shaft Guide	32	Washer	64	Ball Bearing	104	Brake Dial
8	Line Guide Carrier Ass'y	33	SUS Ball	65	Clip Ring	105	Brake Cam
9	Worm Shaft	34	E-Clip	66	O-Ring	106	Click Spring
10	O/S Pinion Gear	35	Ball Bearing	67	O-Ring	107	Click Pin
11	Pole-O/S Pinion Gear	36	Retainer - Crank Shaft	68	Pre-set Pole	108	Magnet Holder Ass'y
12	Stabilizer Bar	37	Screw	69	Tower Spring	109	Brake Cam
13	Locking Plate	38	Washer	71	Washer - Spool Tension	110	Spool Cover
14	Screw	39	Crank Shaft	72	Spool Tension Knob	111	Spring
15	Frame	40	O/S Drive Gear	74	Click Spring	112	Spring Holder Plate
16	Teflon Sliding Pad	41	Trip Ratchet	75	Ball Bearing	113	Clip
17	Form Washer	42	Washer - Trip Ratchet	76	Washer	114	Screw
18	Spring-Release Slider	43	Drive Gear	77	Click Spring Retainer	115	Washer
19	Ball Bearing	44	Gear Clicker Ring	78	Click Spring	116	Washer
20	IGUS Bushing	45	Locking Ring	79	Spring "D" Washer	117	Form Washer
21	Release Slider	46	Carbon Fibre Washer	80	Washer	118	Oil Ball Bearing
22	Thumb Bar	47	Drag "D" Washer	81	Star Drag	119	Clip Ring
23	Locking Plate-Pinion Yoke	48	Drag Key Washer	82	Handle Washer		
24	Pole-Pinion Yoke	49	Carbon Fibre Washer	83	Handle Assy		
25	Bushing-Kick Lever	50	Drag Plate	84	Washer - Handle Nut		